



Light is vision.

LED Light Source IntraLED 2020

This high power LED light source emits a very white light and represents a viable alternative to halogen light sources. It achieves its high light yield of more than 5.6MLux at a total power consumption of just 15W. Intensity can be controlled manually or digitally via RS232.



Technical Specifications

Optical features

Light source	High Power LED white
Illumination intensity	> 5.6 Mlux @ Exit Ø = 10mm
Max. optical efficiency	60 lm/W
Aperture (2x $\alpha/2$)	20°
Color temperature typical	6500K
Color reproduction index	80
Degradation period of LEDs (Drop in intensity at 50%)	> 50,000h
Optical output	max. 10mm (2/5 inch)
Regulation of emitt. on Vs area illuminated	Const. @ Vs = 12V +/- 10% and T = 10°C ... 40°C
LED radiation class	1M LED Product

Firmware

Version	1.4
---------	-----

Electrical characteristics

Supply voltage Vs	12VDC
Current consumption	~1.250mA
Communication	RS232
Connector	M8 male; 4 pins



Light is vision.

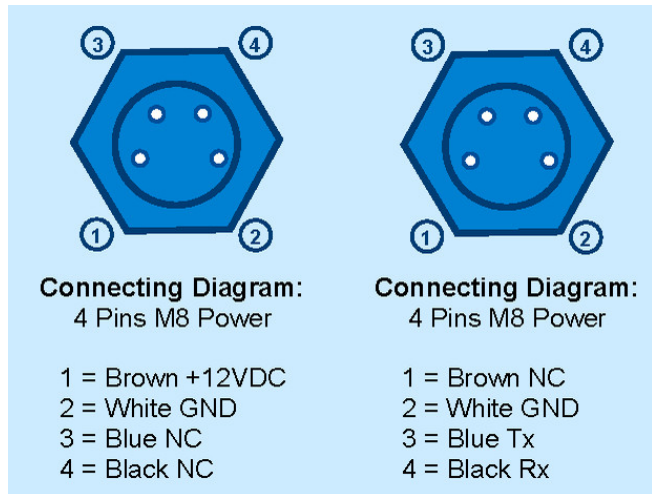
Mechanical characteristics

Dimension	89mm x 84mm x 159mm (incl. connectors)
Enclosure	Aluminium body, anodized, IP 20
Forced cooling, fan noise	39dB (A)
Fan	35,000h
Adapter	15mm standard Volpi or 18mm Schott Fostec ferrule
Weight	1.1kg (2.4 lbs)

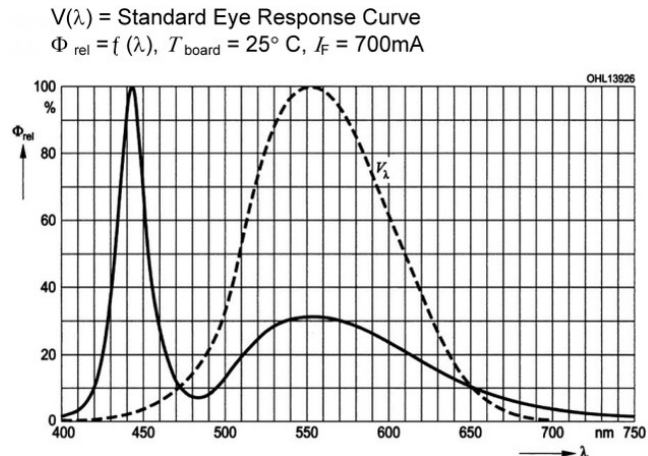
Ambient conditions

Ambient temperature	Operation: 0°C ... 40°C / 32°F ... 104°F Storage: 0°C ... 50°C / 32°F ... 122°F
Humidity	Max. 95%, relative, not condensing

Connecting Diagram



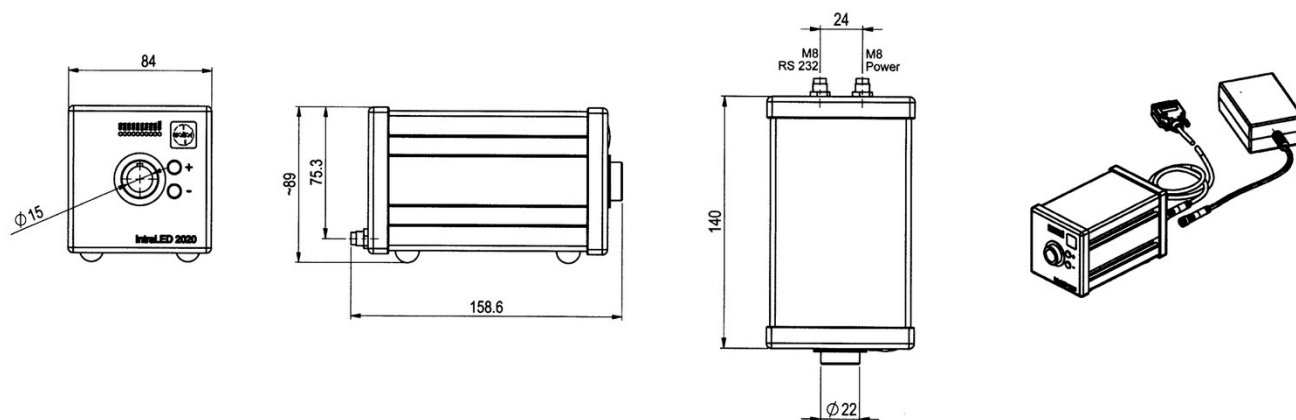
Spectrum





Light is vision.

Dimensions



Variants

Product	Part No.
IntraLED 2020 Optical Output 10mm, with Volpi Receptacle	17185.000
IntraLED 2020 Optical Output 10mm, with Schott-Fostec Receptacle	17185.100

Accessories

Product	Part No.
Base Plate	
Base Plate To use Gooseneck Light Guides with the IntraLED 2020 Light Source.	60161
Foot Switch	
Foot Switch For IntraLED 2020, Halogen Light Sources and LED Ringlights (plug and play).	60197.000



Light is vision.

